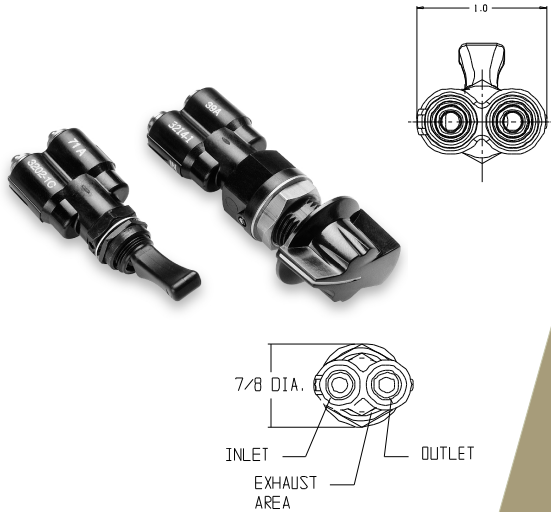


Toggle-Style Air & Rotary Air Switch



The GT 3202/3214 series of toggle switches are heavy-duty switches with push-to-connect fittings. These three-way valves are designed for the dashboard operation of truck air system accessories.

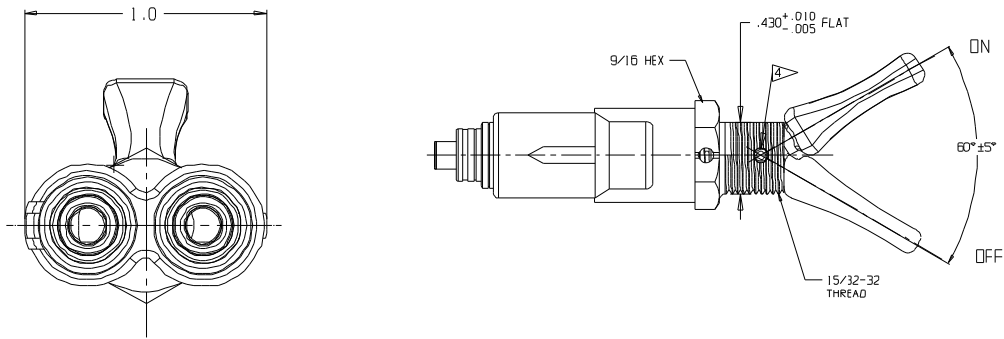
Performance

Application	Three-way designed for dashboard operation of truck air system accessories.
Material	Zytel, nylon glassed filled.
Function	When valve is switched off, supply is blocked and delivery is vented. When valve is switched on, supply is connected to delivery.
GTD Part Number	3202-XX and 3214-XXX
Rated PSI	150 PSIG maximum
Operating Temperature	-10°F (-23.3°C) to 160°F (71.1°C)
Allowed Leakage:	On and off leakage 28 SCCM at 100 PSIG.
Equivalent Orifice	¼" fittings, assuming Cd= .65 Inlet to outlet = .115 diameter or greater Outlet to exhaust = .080 diameter or greater
Connectors	Two ¼" push-to-connect fittings with rigid tube support. Fittings meet DOT FMVSS 106 50 lb. pull test when used with SAE J844 nylon tubing.
Weight	25 grams (approximate)
Packaging	Bulk

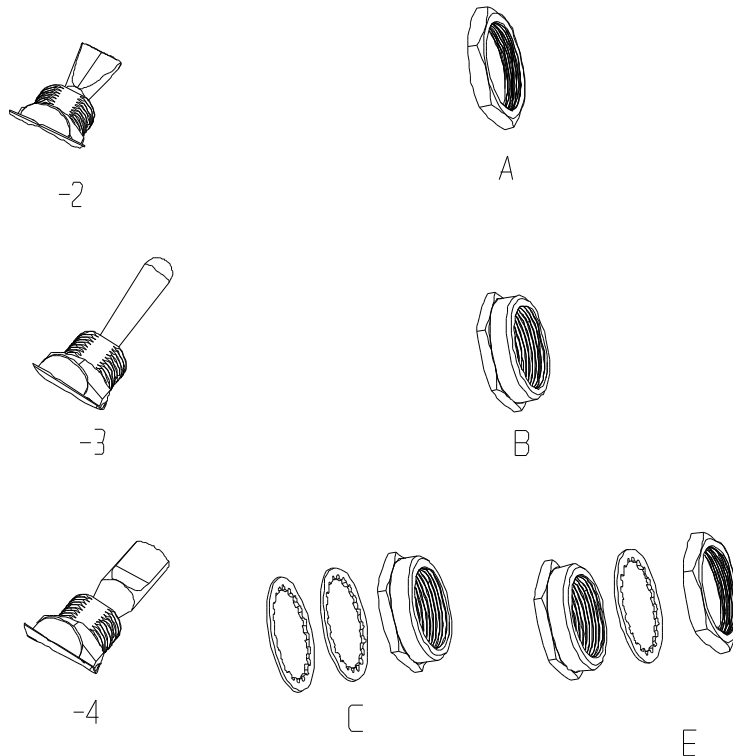
Toggle-Style Air & Rotary Air Switch



Drawings—P/N 3202-XX



Hardware—P/N 3202-XX



Toggle-Style Air & Rotary Air Switch



Drawings—P/N 3214-XXX

