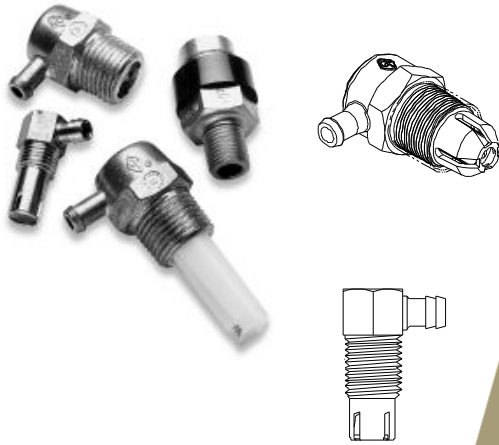


Fuel Tank Vent



Fuel tank vents are supplied in 1/4", 1/2" and 1-1/4" NPT configurations, with and without barb fittings, all with patented, anti-spill protection. Specific designs are suitable for high back-flow or low-profile applications; some vents include safety-venting features.

Performance

Application	Vent are intended to provide tank breathing, prevent fuel spillage, relieve excess pressure, and provide thermal venting in vehicle fuel tanks for which this valve is appropriate. Not all vents listed have pressure and thermal relief functions, view tank vent cross reference to determine function of each vent.
Limitations	Tank vent valves appropriately selected can be used on diesel fuel aluminum tanks up to 200 gallon total capacity and diesel fuel steel tanks up to 132 gallon capacity.
Material	Zamak 3 or brass
Air Venting	Typically designed to vent air at 30 SCFH with a tank pressure not more than six inches of H ₂ O.
Unseating	Varies with vent model; see tank vent cross-reference for detailed information.
Anti-Spill	Vent will not leak in excess of 0.5 ounces per minute of diesel with the vent in any orientation and diesel applied at any pressure up to 4 PSIG.
Pressure Relief	In vents that include pressure relief, the vent will start to flow with diesel pressure applied between 5 and 10 PSIG, and will flow 1.0 GPM or more of diesel at 10 PSIG.
Thermal Relief	In vents that include thermal relieves, the vent will thermally activate and open to atmosphere when exposed to an enveloping flame in accordance with FHWA Title 49, CFR Part 393 Section 67 (d)(1) that causes a fuel temperature to rise rate of at least 6° F per minute.

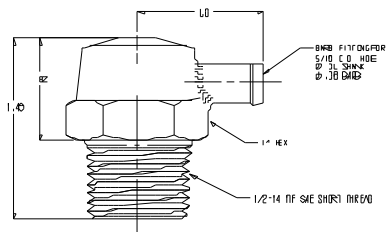
Fuel Tank Vent



Performance

GTD Part Number	139-x, 150-x, 201-x, 218-x, 261-x, 262-x, 2113-x, 2114-x, and 2116-x
Weight	64.4 grams (approximate, differs with model)
Packaging	Bulk

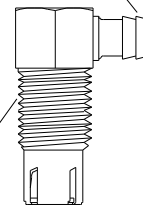
Drawings



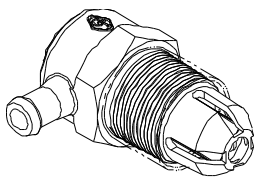
201-x

BARB FITTING TO ACCEPT
1/4" I.D. HOSE
.31 DIA. BARB
.26 DIA. SHANK

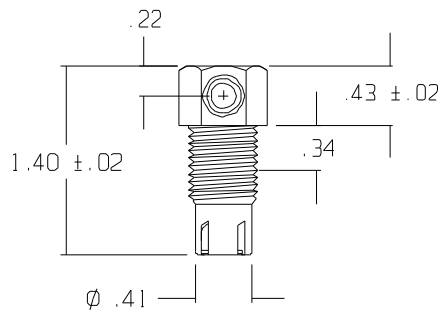
1/4-18 NPTF
DRYSEAL THREAD



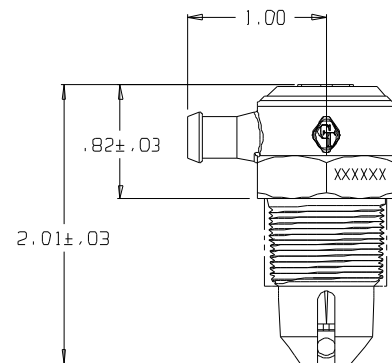
218-x



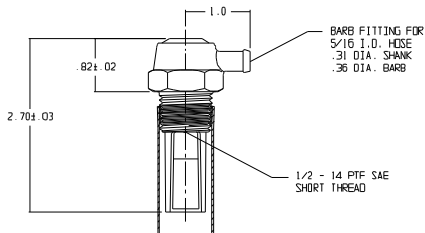
2113-x



218-x

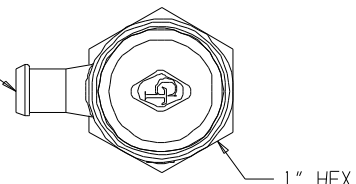


2113-x



2102-x

BARB FITTING FOR
5/16" I.D. HOSE
.31 DIA. SHANK
.36 DIA. BARB



2113-x